

The Instruction

Bi-Color LED Spotlight

- LANCER B1000
- LANCER B500

CONTENTS

Safety Instructions and Precautions	02
Product Structure	03
Installation and Disassembly Guide	06
Power Connection	09
DMX Connection	10
Operating Instructions	11
Specifications	28
Fault Handling Guide	29
Product kit	30

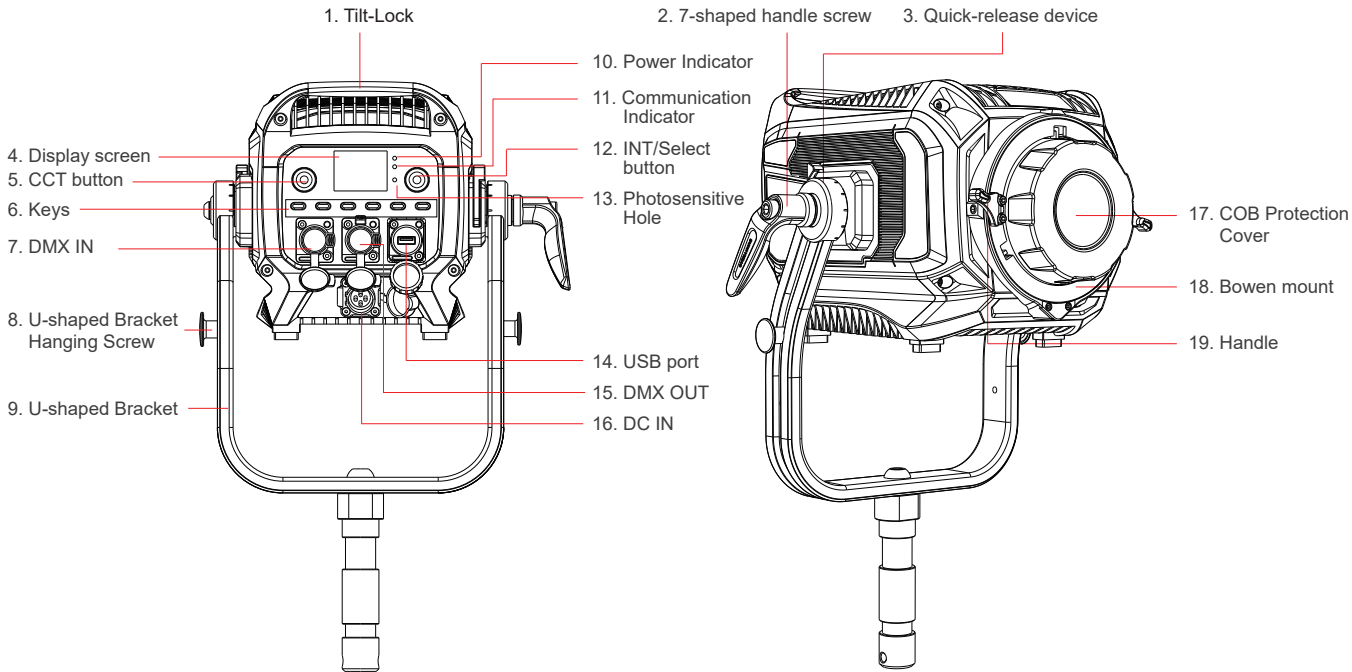
Safety Instructions and Precautions

First, as a fundamental principle: this product is professional lighting equipment and should be used by professional lighting technicians or under the guidance of professionals. When using, always adhere to basic safety precautions, including the following:

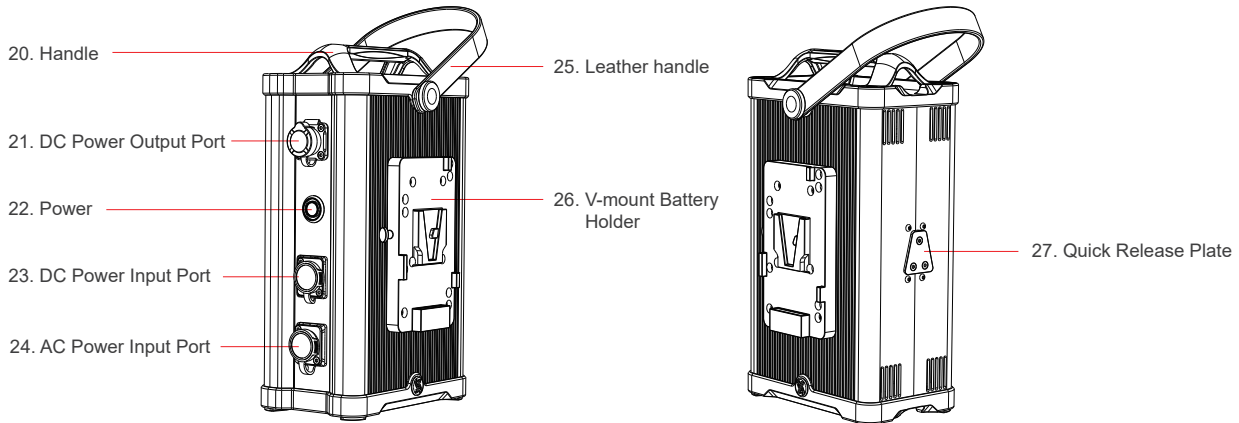
1. Read and understand the product manual before use.
2. This is a professional lighting fixture and should not be used by children. When children are nearby, parents or caregivers must closely supervise them to prevent any accidents or injuries caused by contact with the fixture or unauthorized use.
3. This light fixture is not intended for general lighting purposes and should not be used for daily illumination. Individuals with eye injuries or sensitivity should avoid using this fixture.
4. When the fixture is on, handle it with care and avoid touching hot components such as LED beads to prevent burns.
5. Avoid direct eye contact with the light source when the fixture is on. High-intensity light should be used under the guidance of a professional lighting technician, and prolonged exposure to strong light should be avoided. If discomfort occurs in the eyes, promptly turn off the fixture and seek medical attention.
6. If the LED beads are damaged or show signs of overheating deformation, you should stop using the fixture and contact the manufacturer, service agent, or qualified technician to replace the beads to prevent accidents.
7. This product is suitable for use in environments with a working temperature range of -20°C to 45°C.
8. Do not use damaged equipment or accessories. Wait for a professional technician to inspect and repair them before using them again.
9. If the product's housing is cracked due to a fall, pressure, or strong impact, do not continue using it to avoid the risk of electric shock from coming into contact with internal electronic components.
10. If an extension cord is needed, use one with a current rating greater than the device's rated current. Using an extension cord with a lower current rating than the device may lead to overheating.
11. Some products have long power cords; please place them reasonably to ensure they are in a safe position. Avoid placing the power cords in contact with hot surfaces or improper placement that could cause damage or trip hazard for personnel on the site. Please use the original power cord provided by the factory; using a non-factory power cord that causes product damage is not covered by the factory's warranty.
12. Before cleaning and maintenance, be sure to unplug the device from the power socket. When not in use, do not pull the power cord to remove the plug from the power socket. To disconnect the device properly, grasp both ends of the plug with your hand and pull it out of the power socket. This device should be connected to a grounded socket.
13. Do not disassemble the product by yourself. If the product malfunctions, it must be inspected and repaired by the authorized technicians.
14. Before storing the device, make sure it has cooled down completely. During storage, remove the power cord from the device. The device should be stored in the provided carry bag or in a well-ventilated dry area.
15. Do not place the device near flammable or volatile solvents such as alcohol or gasoline.
16. Do not use accessories not recommended by the manufacturer, as it may lead to fire, electric shock, or personal injury.
17. When cleaning the fixture, use a soft cloth with neutral cleaning agents to remove dirt; do not use strong cleaning agents.

Product Structure

Lamp



Handle



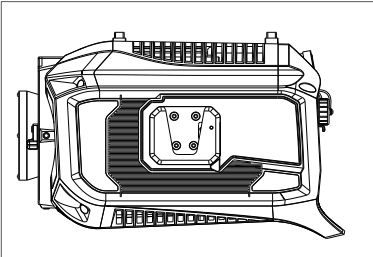
Structure Introduction

1. Tilt-Lock: Facilitates the adjustment of the light direction by the user.
2. 7-shaped Handle Screw: Used to adjust and fix the vertical direction of the fixture.
3. Quick Release Device: Used for quick installation and disassembly of the U-shaped bracket.
4. Display Screen: Used for displaying data.
5. CCT Button: Used to adjust color temperature and other options. In color temperature mode, a short press can quickly switch between color temperature settings.
6. Keys: Include 3200K, 5600K, MENU, EFFECT, PRESET, LOCK buttons.
7. DMX IN: DMX signal input port.
8. U-shaped Bracket Hanging Screw: Used for hanging safety chains.

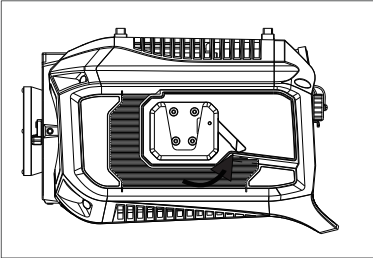
9. U-shaped Bracket: Used to connect the fixture to the stand and adjust the angle of the light.
10. Power Indicator Light: Remains lit when power is connected.
11. Communication Indicator Light: Blinks when receiving communication signals.
12. INT/Select Button: Used for brightness adjustment and selection. Rotating it switches between different options.
13. Photosensitive Hole: Automatically adjusts screen brightness based on ambient light.
14. USB Interface: Used for firmware upgrades.
15. DMX OUT: DMX signal output port.
16. DC IN: DC power input interface.
17. COB Protection Cover: When the fixture is not in use, the COB protective cover can be attached for protection.
Note: Remove the COB protective cover before using the fixture.
18. Bowen mount: Used for attaching and detaching the reflector and other common accessories.
19. Handle: Used to tighten or loosen the Bowen mount.
20. Power Handle: Used for carrying the power source.
21. DC Power Output Socket: Connect with a DC cable for the connection between the lamp body and the adapter.
22. Power: Used to turn the fixture on or off.
23. DC Power Input Socket: Connect with a DC cable for the connection between the adapter and the mobile power source.
24. AC Power Input Socket: Used to connect the AC power cord to power the adapter.
25. Leather handle: Used for carrying or hanging the power source.
26. V-mount Battery Holder: Used for installing batteries to power the adapter.
27. Quick Release Plate: Used in conjunction with the clamp to secure the power source.

Installation and Disassembly Guide

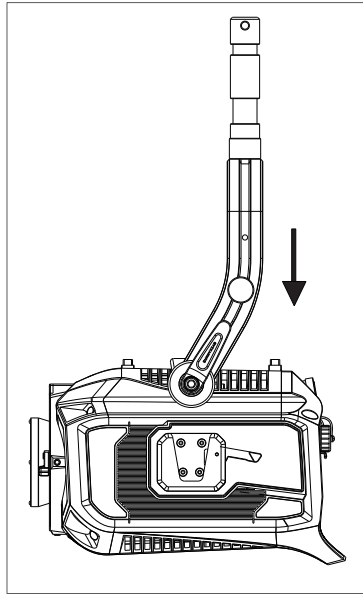
1. Installing the U-shaped Bracket (Method 1)



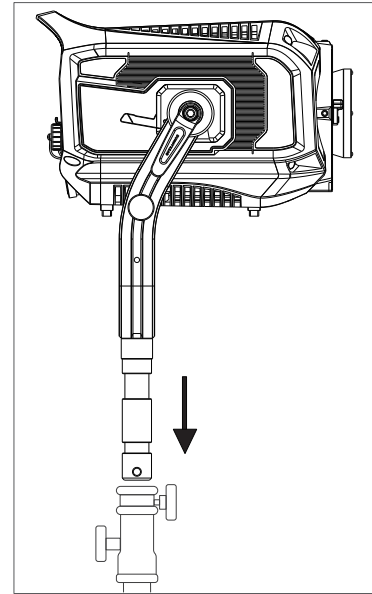
1. Place the fixture on a flat surface with the bottom facing up.



2. Pull apart the quick-release device handles.

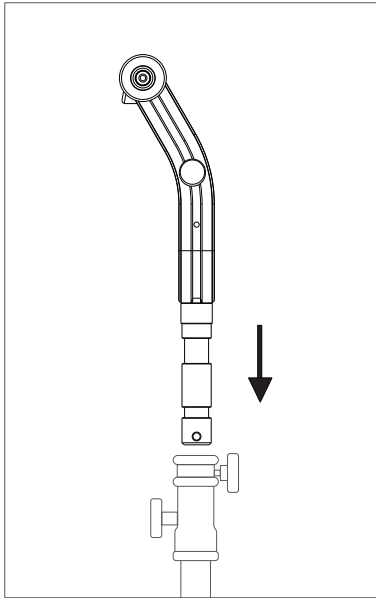


3. Align the quick-release plate of the fixture with the base of the quick-release plate on both sides of the fixture, making sure to match the direction of the quick-release plate.

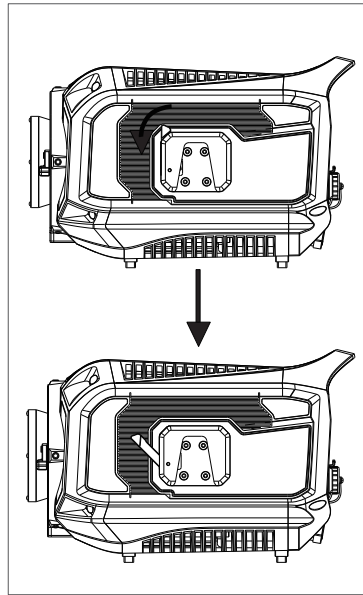


4. Install the fixture on the stand and tighten the stand's locking knob.

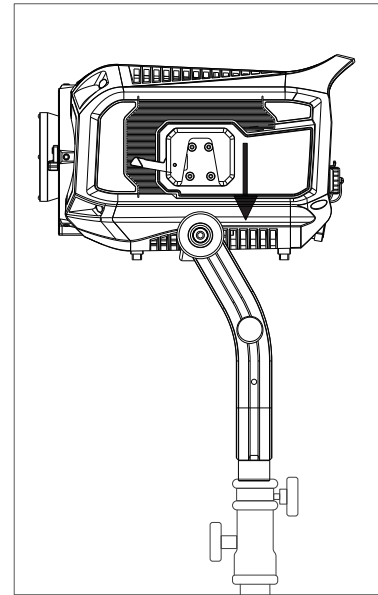
1. Installing the U-shaped Bracket (Method 2)



1. Align the U-shaped bracket with the fixture and tighten the stand's locking knob.



2. Open the quick-installation device wrenches at both ends of the lamp.

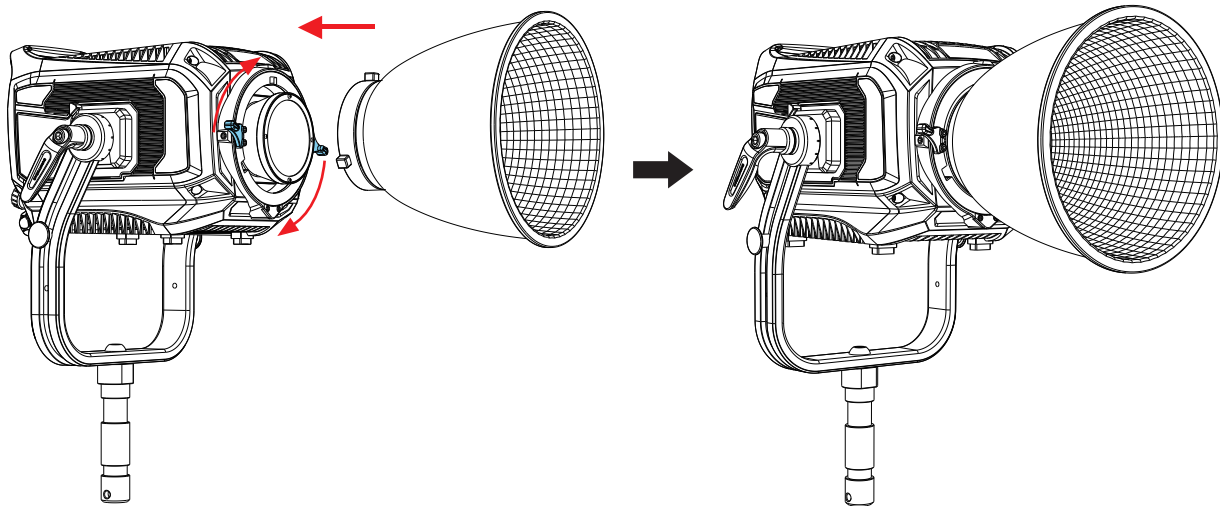


3. Use the U-shaped bracket hanging screw to secure the bracket in place.

2. Installation and Disassembly of the Reflector

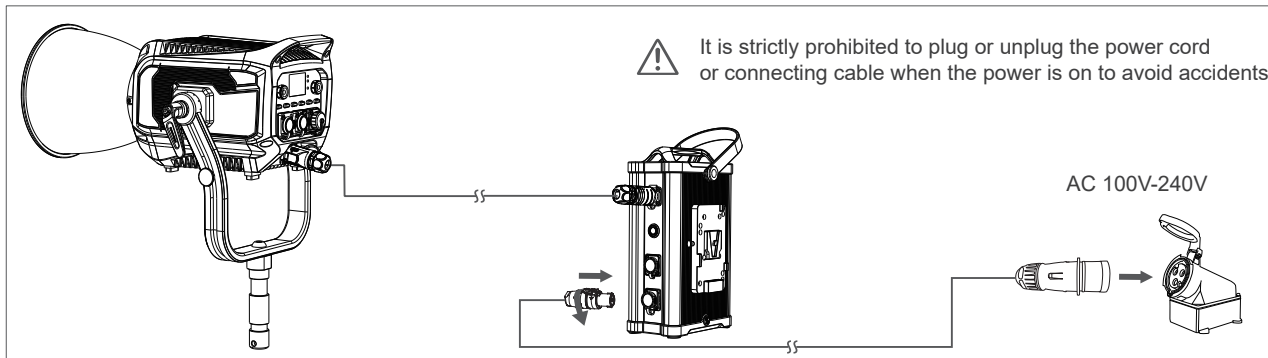
Installation: Align the reflector with the Bowen mount and tighten it clockwise with the wrench.

Disassembly: Turn the wrench counterclockwise to remove the reflector.

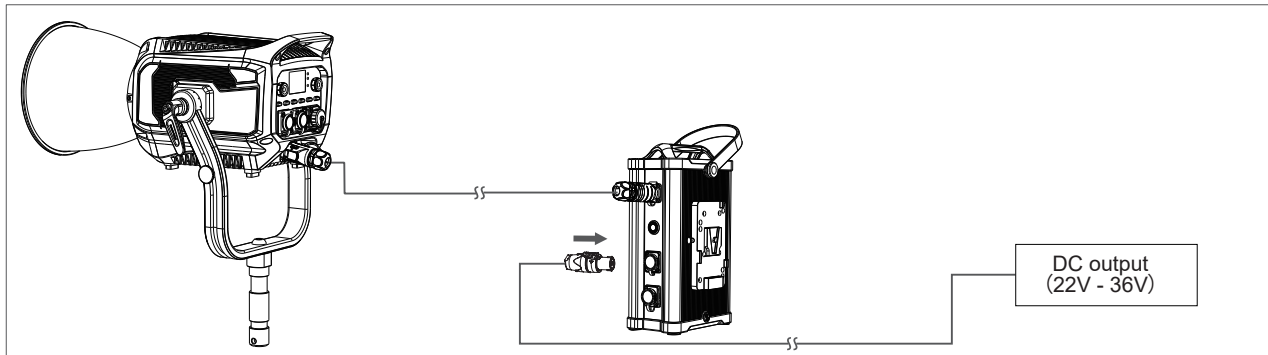


Power Connection

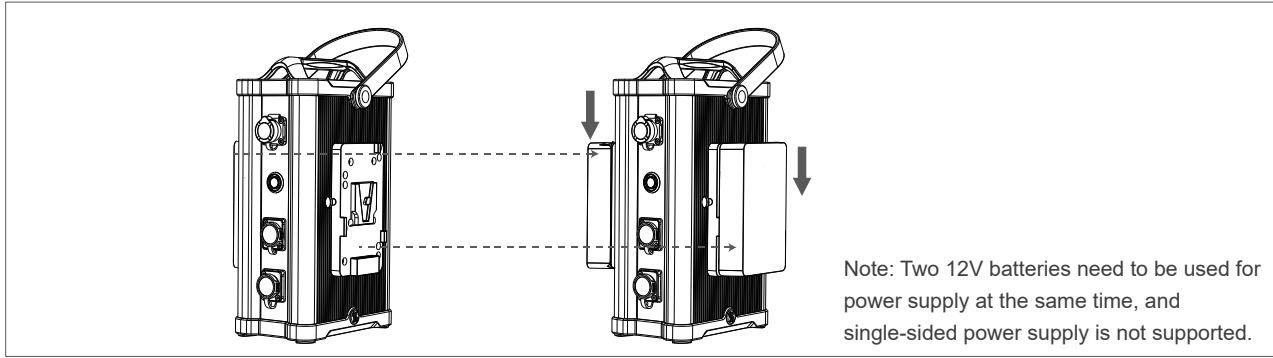
1.AC power supply



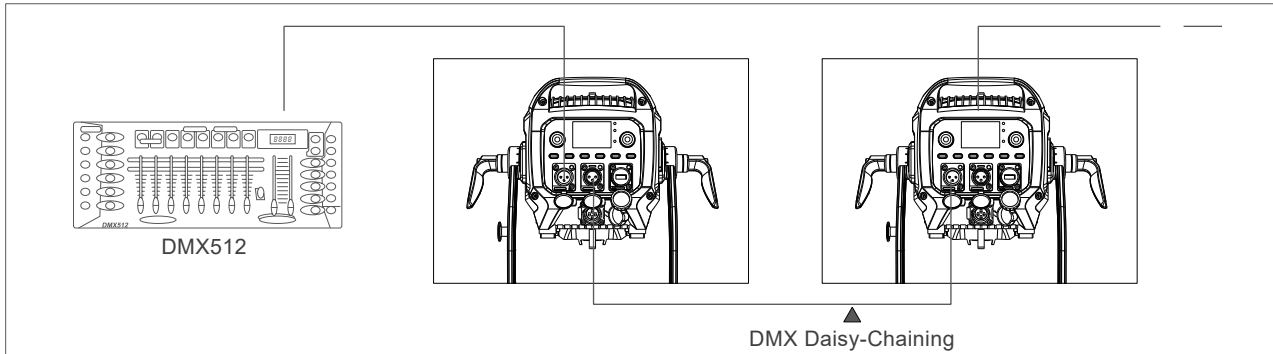
2.DC power supply - DC output



3.V-mount battery



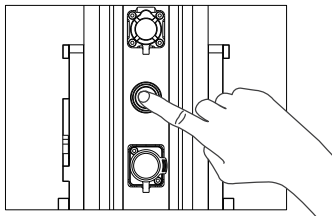
DMX Connection



Operating Instructions

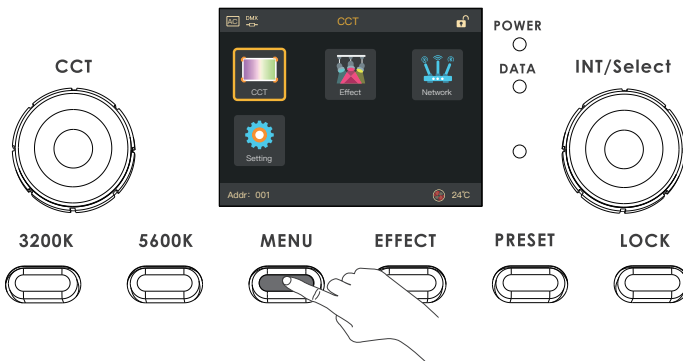
Power switch

Power On, use the power switch to turn the fixture on or off.



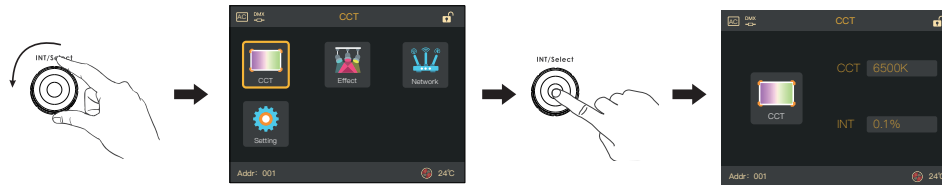
Control Panel

Press the MENU button to enter the main menu.



Menu-CCT

Turn the "INT/Select Button" to CCT, and press the "INT/Select Button" to confirm and enter the CCT mode.



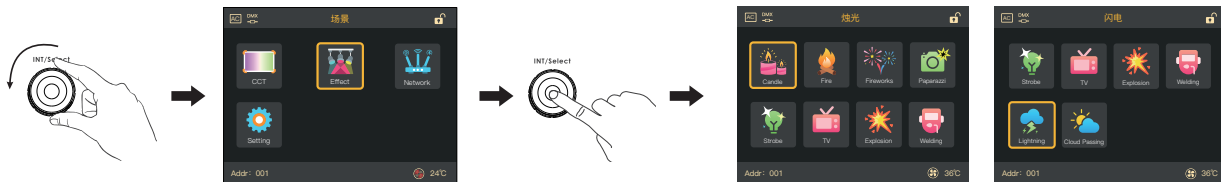
CCT adjustment: Turn the "CCT Button" to adjust the color temperature range. The adjustment range is 2700K-6500K. For normal rotation, turn the adjustment button clockwise once to increase the value by 50 units, and turn it counterclockwise once to decrease the value by 50 units; Support quick adjustment: Short press the button to quickly switch the color temperature to 2800K/3200K/5600K/6500K.

Brightness adjustment: Turn the "INT/Select Button" to adjust the brightness, ranging from 0.0% to 100.0%. For normal rotation, Turn the adjustment button clockwise once to increase the value of 0.1 unit, Turn it counterclockwise once to decrease the value of 0.1 unit; Support quick adjustment. Short press the button to quickly switch the brightness to 0.0%/25.0%/50.0%/100%.

After setting, press MENU to return to the previous interface.

Menu-Effect

Turn the “INT/Select Button” to Effect, then click the “INT/Select Button” to confirm and enter Effect.



The LANCER Bi-Color LED Spotlight series features 10 lighting effects, including candle, flame, firework, paparazzi, strobe, TV, explosion, welding, lightning, and cloud passing.

Effect-Candle

Turn the “INT/Select Button” to Candle, then click the “INT/Select Button” to confirm.



Turn the “INT/Select Button” to switch from different options, and use the “CCT Button” to adjust the parameters. The speed can be adjusted from 0 to 100, and the color temperature can be adjusted among cool/neutral/warm, and the brightness can be adjusted from 0.0% to 100.0%.

After setting, press the MENU to return to the previous interface.

Effect-Fire

Turn the "INT/Select Button" to Fire, then press the "INT/Select Button" to confirm.



Turn the "INT/Select Button" to switch among different options, and use the "CCT Button" to adjust the parameters. The speed can be adjusted from 0 to 100, and the color temperature can be adjusted among cool/neutral/warm, and the brightness can be adjusted from 0.0% to 100.0%.

After setting, press the MENU to return to the previous interface.

Effect-Fireworks

Turn the "INT/Select Button" to Fireworks, then press the "INT/Select Button" to confirm.



Turn the "INT/Select Button" to switch between different options, and use the "CCT Button" to adjust the parameters. The speed can be adjusted from 0 to 100, the color temperature can be adjusted from 2700K to 6500K, and the brightness can be adjusted from 0.0% to 100.0%.

After setting, press the MENU to return to the previous interface.

Effect-Paparazzi

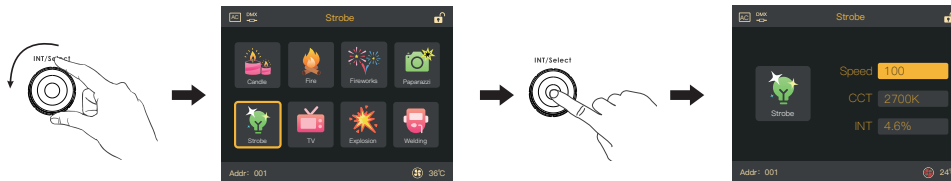
Turn the "INT/Select Button" to Paparazzi, then click the "INT/Select Button" to confirm.



Turn the "INT/Select Button" to switch among different options, and use the "CCT Button" to adjust the parameters. The frequency ranges from 0 to 100; the types can be switched between Modern/Flash; the color temperature ranges from 2700K-6500K; and the intensity can be adjusted from 0.0% to 100.0%. After setting, press the MENU to return to the previous interface.

Effect-Strobe

Turn the "INT/Select Button" to switch to the Strobe option, then click the "INT/Select Button" to confirm and enter the Strobe Mode.



Turn the "INT/Select Button" to switch between different options, and use the "CCT Button" to adjust the parameters. The speed can be adjusted from 0 to 100, the color temperature can be adjusted from 2700K to 6500K, and the brightness can be adjusted from 0.0% to 100.0%. After setting, press the MENU to return to the previous interface.

Effect-TV

Turn the “INT/Select Button” to TV, then press the “INT/Select Button” to confirm.



Turn the “INT/Select Button” to switch among different options, and use the “CCT Button” to adjust the parameters. The speed can be adjusted from 0 to 100, and the color temperature can be adjusted among cool/neutral/warm, and the brightness can be adjusted from 0.0% to 100.0%.

After setting, press the MENU to return to the previous interface.

Effect-Explosion

Turn the “INT/Select Button” to Explosion, then press the “INT/Select Button” to confirm.



Turn the “INT/Select Button” to switch among different options, and use the “CCT Button” to adjust the parameters. The decay can be adjusted from 0 to 100, the color temperature can be adjusted from 2700K to 6500K, and the brightness can be adjusted from 0.0% to 100.0%.

After setting, press the MENU to return to the previous interface.

Effect-Welding

Turn the "INT/Select Button" to Welding, then press the "INT/Select Button" to confirm.



Turn the "INT/Select Button" to switch among different options, and use the "CCT Button" to adjust the parameters. The speed can be adjusted from 0 to 100, the minimum brightness can be adjusted between modern and classic, the color temperature can be adjusted from 2700K to 6500K, and the brightness can be adjusted from 0.0% to 100.0%.

After setting, press the MENU to return to the previous interface.

Effect-Lightning

Turn the "INT/Select Button" to Lightning, then press the "INT/Select Button" to confirm.

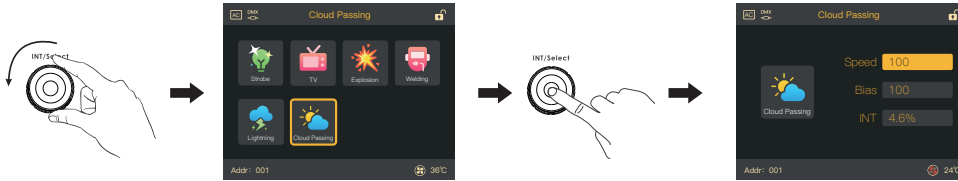


Turn the "INT/Select Button" to switch among different options, and use the "CCT Button" to adjust the parameters. The frequency can be adjusted from 0 to 100, the speed can be adjusted from 0 to 100, the color temperature can be adjusted from 2700K to 6500K, and the brightness can be adjusted from 0.0% to 100.0%.

After setting, press the MENU to return to the previous interface.

Effect-Cloud Passing

Turn the "INT/Select Button" to Cloud Passing, then click the "INT/Select Button" to confirm.

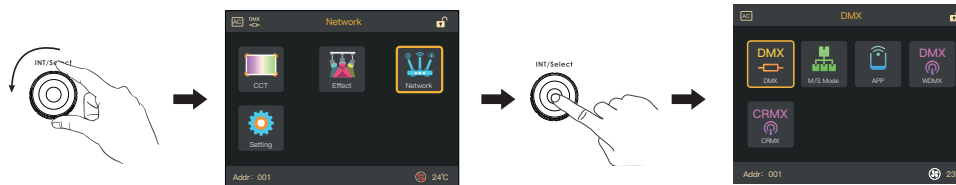


Turn the "INT/Select Button" to switch among different options, and use the "CCT Button" to adjust the parameters. The speed can be adjusted from 0 to 100, the offset adjustment range is from 0 to 100, and the brightness can be adjusted from 0.0% to 100.0%.

After setting, press the MENU to return to the previous interface.

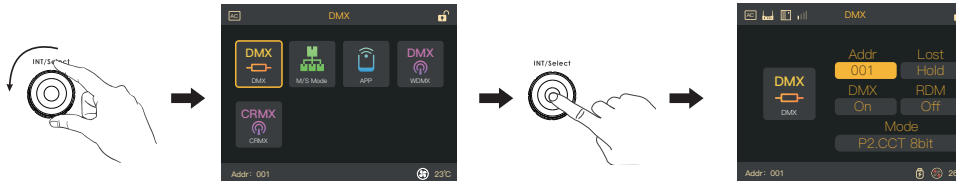
Network

Turn the "INT/Select Button" to Network, then click the "INT/Select Button" to confirm and enter the communication mode.



Network-DMX

Turn the "INT/Select Button" to DMX, then press the "INT/Select Button" to confirm.

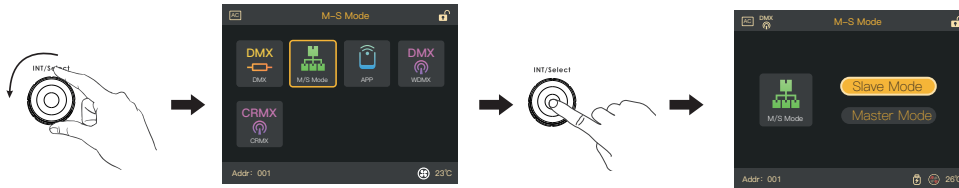


Turn the "INT/Select Button" to switch among different options, and use the "CCT Button" to adjust the parameters. The address can be adjusted from 1 to 512, the offline actions vary from extinguish/hold/delay, DMX switch can be adjusted to on/off, RMX switch can be adjusted to on/off, and the mode can be adjusted among P2.CCT 8-bit / P7.CCT 16-bit / P12.CCT Coarse/fire / P16.GEL V2 8-bit / P17.GEL V2 16-bit / P22.Effect 8-bit / P23.Effect 16-bit / P30.Ultimate DMX 8-bit.

After setting, press the MENU to return to the previous interface.

Network-M-S Mode

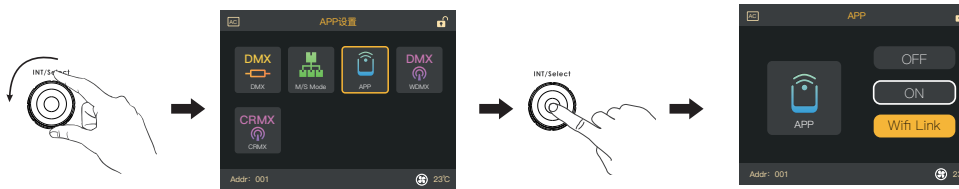
Turn the "INT/Select Button" to M-S Mode, then press the "INT/Select Button" to confirm.



Turn the "INT/Select Button" to switch between Slave Mode and Master Mode, then shortly press "INT/Select Button" to confirm. After setting, press the MENU to return to the previous interface.

Network-APP

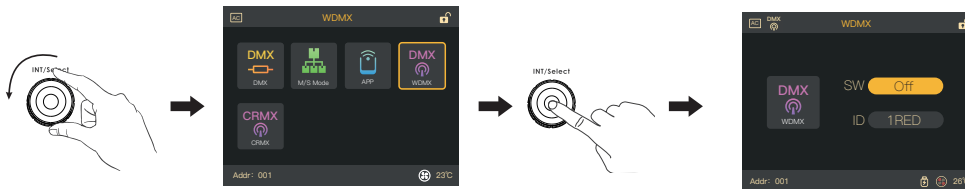
Turn the "INT/Select Button" to APP, then press the "INT/Select Button" to confirm.



Turn the "INT/Select Button" to switch among On/Off/Smartconfig; Choose Smartconfig to reset the router. After setting, press the MENU to return to the previous interface.

Network-WDMX

Turn the "INT/Select Button" to WDMX, then press the "INT/Select Button" to confirm.



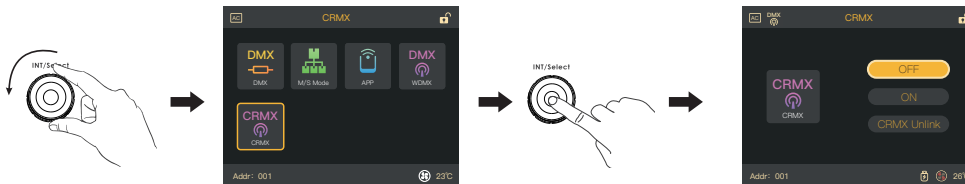
ON/OFF: Turn the "INT/Select Button" to "SW", and then Turn the "CCT Button" to set the wireless DMX On/Off.

ID Adjustment: Turn the "INT/Select Button" to ID option, and then Turn the "CCT Button" to switch among 1 RED/2 GREEN/3 YELLOW/4 BLUE/ 5 PURPLE/6 CYAN/7 WHITE.

After setting, press the MENU to return to the previous interface.

CRMX

Turn the "INT/Select Button" to CRMX, then press the "INT/Select Button" to confirm.

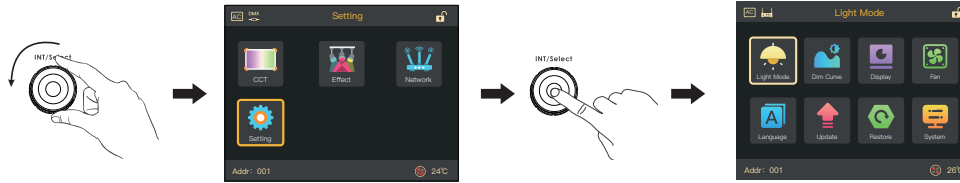


Turn the "INT/Select Button" to switch among Off/On/CRMX Unlink, and shortly press the "INT/Select Button" to confirm. Choose CRMX UNLINK remove the original pairing, then choose "ON" to re-pair.

After setting, press the MENU to return to the previous interface.

Setting

Turn the "INT/Select Button" to Setting, then press the "INT/Select Button" to confirm.



Setting-Light Mode

Turn the "INT/Select Button" to Light Mode, then press the "INT/Select Button" to confirm.



Turn the "INT/Select Button" to switch between Normal/High Speed, then shortly press the "INT/Select Button" to confirm.

After setting, press the MENU to return to the previous interface.

Setting-Dim Curve

Turn the "INT/Select Button" to Dim Curve, then press the "INT/Select Button" to confirm.



Switch and press the INT/Select to choose different dim curve: Liner/Exponent/Logarithm/S/TV.

After setting, press the MENU to return to the previous interface.

Setting-Display

Turn the "INT/Select Button" to Display, then press the "INT/Select" to confirm.

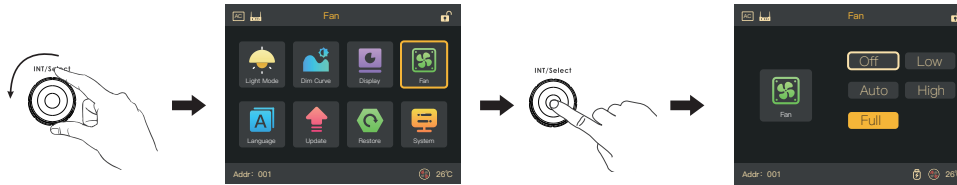


Turn "INT/Select Button" to switch among different options, and Turn "CCT button" to adjust parameters, then press to confirm. Display brightness: 1-10; Display locked time: Always/10Sec/20Sec/30Sec/40Sec/50Sec/60Sec; Display rotation: 0°/180° Key backlight: on/off; Buzzer warning: on/off Style: night/day.

After setting, press the MENU to return to the previous interface.

Setting-Fan

Turn the "INT/Select Button" to Fan option, then press the "INT/Select Button" to confirm.

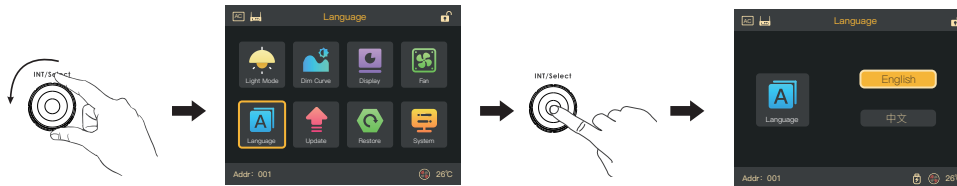


Turn the "INT/Select Button" to switch among Off/Low/Auto/High/Full, then press the "INT/Select Button" to confirm.

After setting, press the MENU to return to the previous interface.

Setting-Language

Turn the "INT/Select Button" to Language, then press the "INT/Select Button" to confirm.



Turn the "INT/Select Button" to switch between English/中文, then press the "INT/Select Button" to confirm.

After setting, press the MENU to return to the previous interface.

Setting-Upgrade

Turn the "INT/Select Button" to Update, then press the "INT/Select Button" to confirm.



Turn the "INT/Select Button" to switch among USB drive/WIFI/DMX, then press the "INT/Select Button" to confirm. By USB upgrade, please remember to download the latest firmware first.

After setting, press the MENU to return to the previous interface.

Setting-Restore

Turn the "INT/Select Button" to Restore, then press the "INT/Select Button" to confirm.



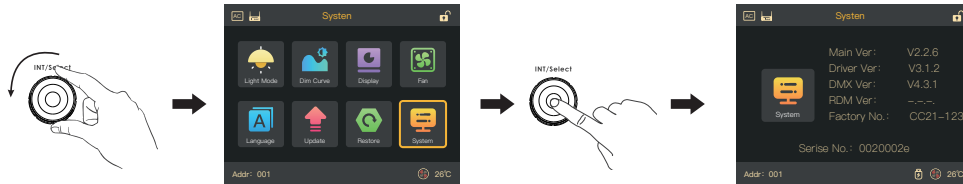
Turn the "INT/Select Button" to switch between No/Yes, then press the "INT/Select Button" to confirm.

Note: Confirming Restore will clear user data, please proceed with caution!

After setting, press the MENU to return to the previous interface.



Setting-System

Turn the "INT/Select Button" to System option, then press the "INT/Select Button" to confirm.



The current page displays system information. After viewing, press the MENU button to return to the previous interface.

Lock

Press and hold the LOCK button for 2 seconds to lock the screen. During this time, no operations can be performed. The icon in the upper left corner “” will change to “”. To unlock the screen, press and hold the LOCK button for 2 seconds again.

LOCK



Dark Mode

Long press and hold the “INT/Select Button” for 3.5 seconds to activate Dark Mode. In Dark Mode, the LED light and the control panel screen will turn off, and all buttons and keys will be non-adjustable. To exit Dark Mode, press the “INT/Select Button” and hold for 3.5 seconds again, then the light will return to normal.

INT/Select



Specifications

Model	Lancer B1000	Lancer B500
Rated power	Max.1000W	Max.500W
Input voltage	DC 22-36V, AC 100-240V 50/60Hz	DC 22-36V, AC 100-240V 50/60Hz
Color temperature	2700K-6500K	2700K-6500K
Dimming range	0% -100%, accuracy 0.1% adjustable	0% -100%, accuracy 0.1% adjustable
Dimming mode	Linear/S-curve/exponential/logarithmic /TV	Linear/S-curve/exponential/logarithmic /TV
Light effects	10	10
Average CRI	97	97
Average TLCI	97	97
Average TM-30 RF	98	98
Average TM-30 RG	94	94
Average R9	90	90
Average R15	90	90
IP Rating	IP54	IP54
Control mode	Lamp control, CRMX, APP, wired DMX, wireless DMX	Lamp control, CRMX, APP, wired DMX, wireless DMX
Dimension	Lamp (excluding support) :302*190*196mm	Lamp (excluding support) :270*168*184mm
	Power supply: 170*142*302mm	Power supply: 117*128*282mm
Weight	Lamp:6.1kg Power supply:2.5kg	Lamp:2.8kg Power supply:1.6kg

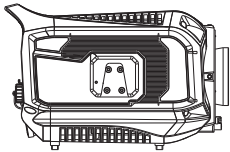
Fault Handling Guide

Note

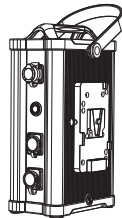
- We recommended only technicians could repair the LED lighting fixture.
- Please contact your local dealer or Sunnyxiao.

Fault	Fault isolation
Unable to start	<ul style="list-style-type: none"> • Check the power button is on • Check all cables are properly connected • Check the damage for cables
Knob malfunction	<ul style="list-style-type: none"> • Please contact Sunnyxiao.
Deformed or damaged aluminum housing	<ul style="list-style-type: none"> • Please contact Sunnyxiao.
Screw loose	<ul style="list-style-type: none"> • Secure with a suitable screwdriver • If the screw is damaged, please contact Sunnyxiao.
Discolored or damaged connector	<ul style="list-style-type: none"> • Please contact Sunnyxiao.
Monitor no display	<ul style="list-style-type: none"> • Check the power • Check overheating protection • Check the connection for cables
Unable to control LED lamps by DMX controller	<ul style="list-style-type: none"> • Check the digital signal • Check the cable and connector • Check the DMX address
Unable to set DMX address	<ul style="list-style-type: none"> • Ensure the address's validity, range: 1-512 (note: The ID address cannot be set to "0" or more than "512".)
Lamps can not be operated manually when DMX cable is connected	<ul style="list-style-type: none"> • Set the DMX address to "0" • Disconnect the DMX cable and power off the lamps, then restart the lighting fixture.

Standard Accessories (B1000/B500)



Lamp*1



Power Supply*1



Pipe Clamp*1



Connecting Cable*1



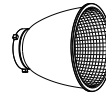
Power Cable*1



Yoke*1



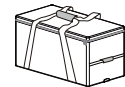
COB Protection Cover*1



Standard Reflector*1



User Manual*1



Case*1

Note: The line drawings in the user manual are for reference only and are illustrative. Due to product updates and upgrades, there may be differences between the actual product and the line drawings. Please refer to the actual product for accuracy.

V1.3.2023



Official website

ShenZhen Sunny Xiao Technology Co., Ltd.

Address: F4, Building B, Huafeng International Robot Industrial Park, Hangcheng Avenue, Bao'an District, Shenzhen, China

Address: Room 201, Block A, Building E, Zone 5, GangHuaxing Industrial Park, Yongfu Road, Fuhai Residential District, Bao'an District, Shenzhen, China

Tel : +86 755 2300 8852

www.sunnyxiao.com

Hengdian Office : Floor 1, No. 91-2, Tongle Street, Jingxi Community, Hengdian Town, Dongyang City, Jinhua City, Zhejiang Province Tel: +86 755 2300 8852

Beijing Office : 5-5 Renhe Science Park, Liando U Valley, Renheyuan 2nd Street, Shunyi District, Beijing Tel: +86 755 2300 8852

Shanghai Office : SUNNYXIAO, Building 37, Shanghai Carbon Plant, 4221 Longwu Road, Minhang District, Shanghai Tel: +86 755 2300 8852

Germany : Wöhlerweg 5, 82538 Geretsried, Germany Tel: +49 8171 999 2110